

# auto electrical parts

## Technical Information Sheet

### Part No. 0-578-05

24 to 12 volt voltage converter, 5 amps continuous, 7 amps intermittent load, switch mode isolated return. For radios, cell phones and CB.

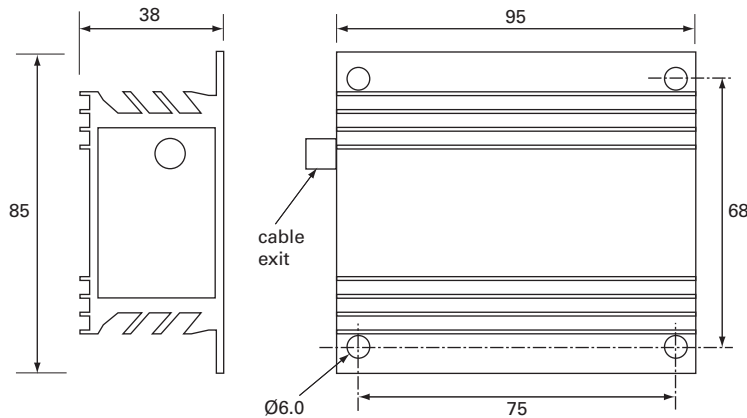
#### Additional information

- Black - Input 24 volts negative
- Red - Input 24 volts positive
- Green - Output 12 volts negative
- Blue - Output 12 volts positive



Can be connected in parallel with up to 2 other identical voltage converters to increase output, allow for 10% reduction in maximum output when paralleled.

#### Technical Drawing (not to scale)



#### Specification

Type	Voltage converter
Input Voltage	Nominal 24 volts (20-32 volts)
Output voltage	12 volts $\pm 5\%$ (half input voltage)
Type	Switched mode isolated return
Load	5A continuous 6A intermittent
Quiescent current	130mA max
Leads	200mm
Protection	Overcurrent, overheat, transients with auto reset
Operating temp	-30° to +70°C
Case	Aluminium
Encapsulation	Silicone rubber
Protection	Water resistant
Weight	380g
Dimensions	l 95 x w 85 x h 38mm
Approvals	72/245/EEC, 95/94/EC, e11

The information contained in this document is correct to the best of our knowledge at the time of printing. However, specifications may change at any time without notice.